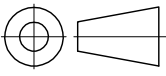


1: 产品符合ROHS, REACH及无卤素之要求。

2: 端子电镀:

底层: 镍Ni0.5-2 μm

表层: 锡Sn3-8 μm

DRAWN	TANG XUAN	TOLERANCES		TITEL:	
CHECKED		0<L≤4 ±0.1 4<L≤16 ±0.2 16<L≤63 ±0.3 ANGEL: ±1°		EE509-03-01	
APPROVED BY			Unit: mm	BASE MATERIAL: PM 9630	UL REC 94V-0
永鑫源电子有限公司 TEL:0752-2027988 FAX:0752-2867736			Scale: 6:1	PIN MATERIAL C5191	COLOR: BLACK
			REV: A/1	PIN Tension Load 0.8 kg	DATE: 2015.03