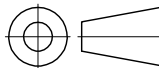


1: 产品符合ROHS, REACH及无卤素之要求。

2: 端子电镀:

底层: 镍Ni0.5-2 μm

表层: 锡Sn3-8 μm

DRAWN	TANG XUAN	TOLERANCES		TITEL: EE505-01 (3+3PIN)	
CHECKED		$0 < L \leq 4 \quad \pm 0.1$ $4 < L \leq 16 \quad \pm 0.2$ $16 < L \leq 63 \quad \pm 0.3$ ANGEL: $\pm 1^\circ$		BASE MATERIAL: UL REC 94V-0	
APPROVED BY		Unit: mm		PIN MATERIAL: C5191 COLOR: BLACK	
永鑫源电子有限公司 TEL:0752-2027988 FAX:0752-2867736			Scale: 5:1 REV: A/0	PIN Tension Load: 0.8kg DATE: 2014.06	

EE505-03-01	PM9630
EE505-08-01	LCPE4008
TITEL	MATERIAL